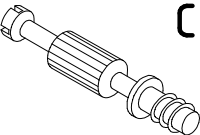
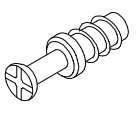
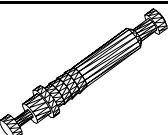
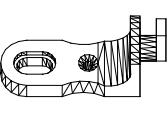
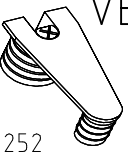
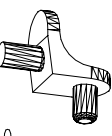

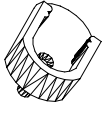

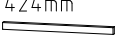
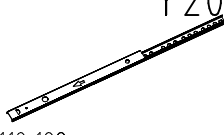
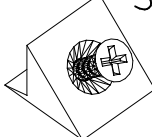
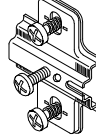
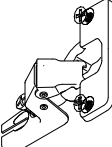
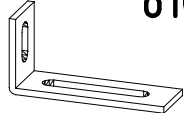

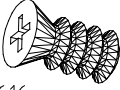

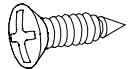
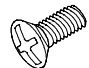

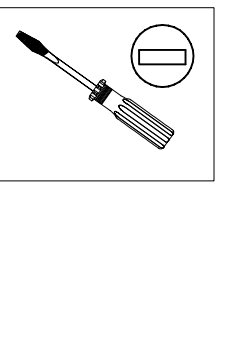
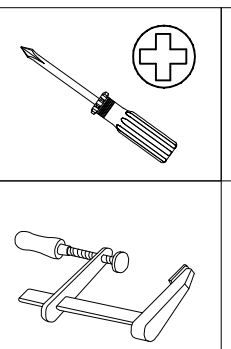
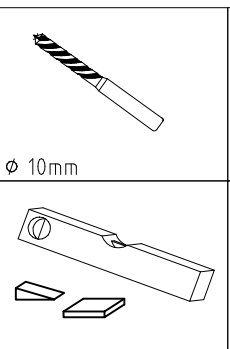
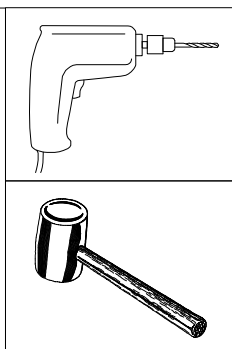
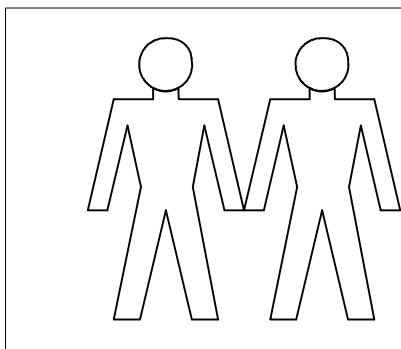
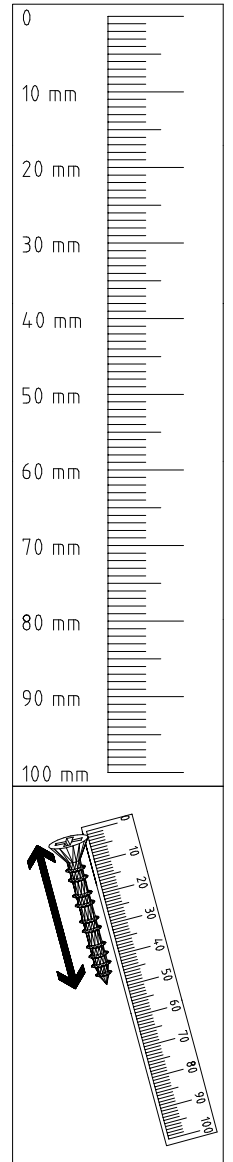
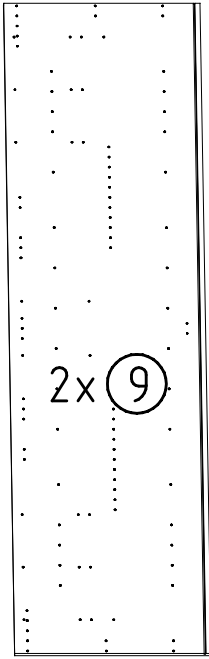
 111 102	A 18x
 111 103	C 18x
 111 229	F 4x
 111 235	E 2x
 111 174	J1 8x
 111 252	VB23 8x
 111 610	L7 12x
 163 007	Z 4x

 117 001	K1 6x
 112 402	K20 870mm 2x
 112 403	K21 424mm 1x
 112 198	Y20 12x
 112 268	SBV 6x
 112 268	M 15x
 112 267	N 15x

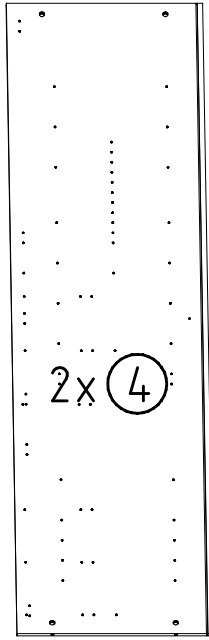
 111 052	o10 1x
 121 120	SP15 4 X 15mm 3x
 112 616	T3 M6 x 10 24x
 121 181	T6 M6 x 11 mm 6x
 121 370	G1 3,5 x 15 mm 12x
 111 015	G8 M4 x 9 mm 12x
 121 375	G14 3,5 x 35 mm 10x





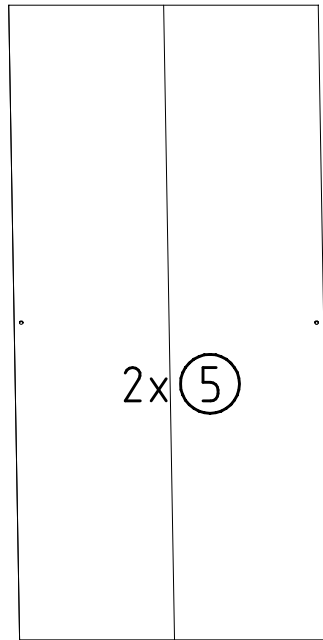
2x (9)

2064x560x15



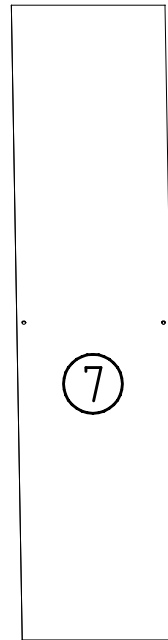
2x (4)

2001x560x15



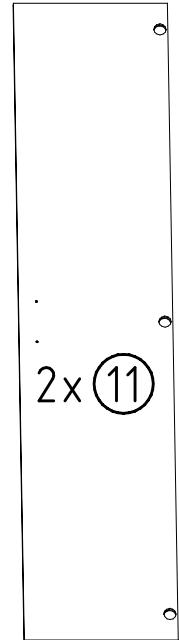
2x (5)

2015x882x2,5



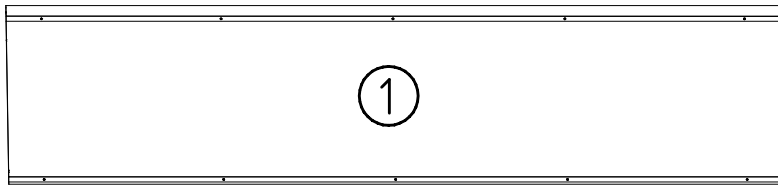
(7)

2015x438x2,5



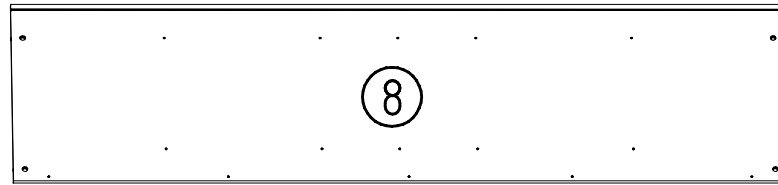
2x (11)

2021x439x15



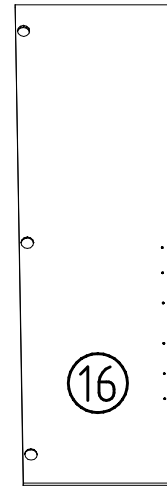
(1)

2205x560x15



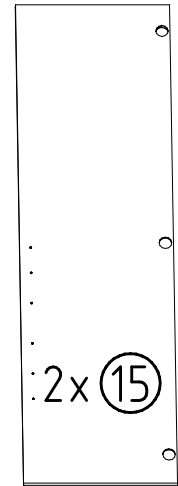
(8)

2205x560x15



(16)

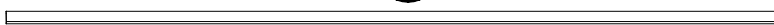
1518x439x15



2x (15)

1518x439x15

2x (2)



2204x32x15

3x (31)

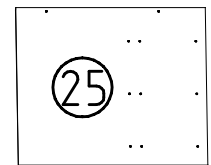


439x422x439x92

3x (30)

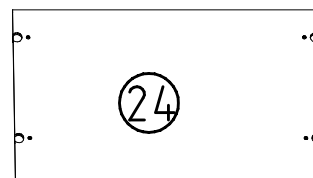


439x866x439x92



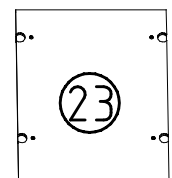
(25)

500x540x15



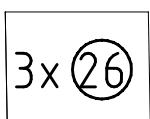
(24)

873x540x18



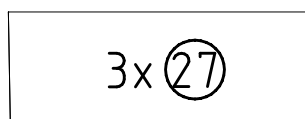
(23)

429x540x18



3x (26)

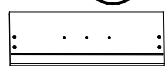
408x439x2,5



3x (27)

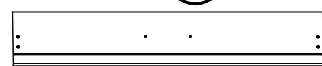
852x439x2,5

3x (28)

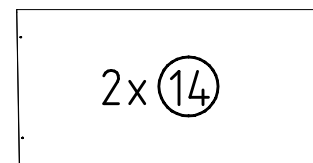


439x164x15

3x (29)

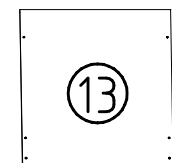


883x164x15



2x (14)

873x500x18



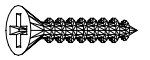
(13)

429x500x18

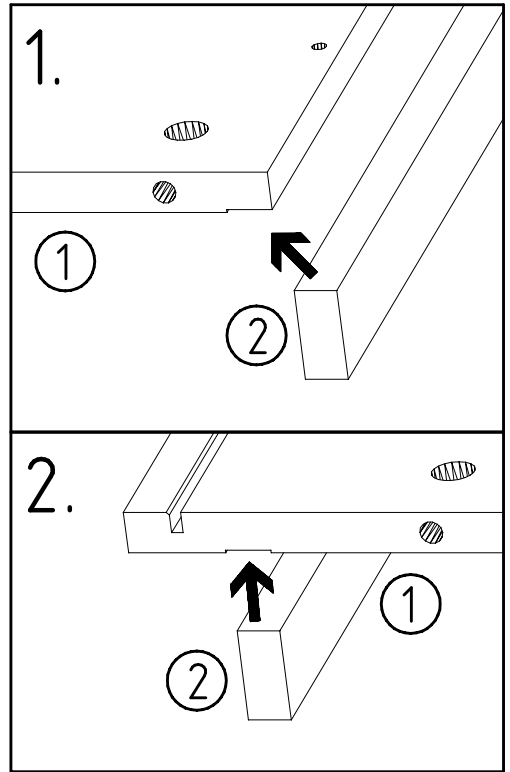
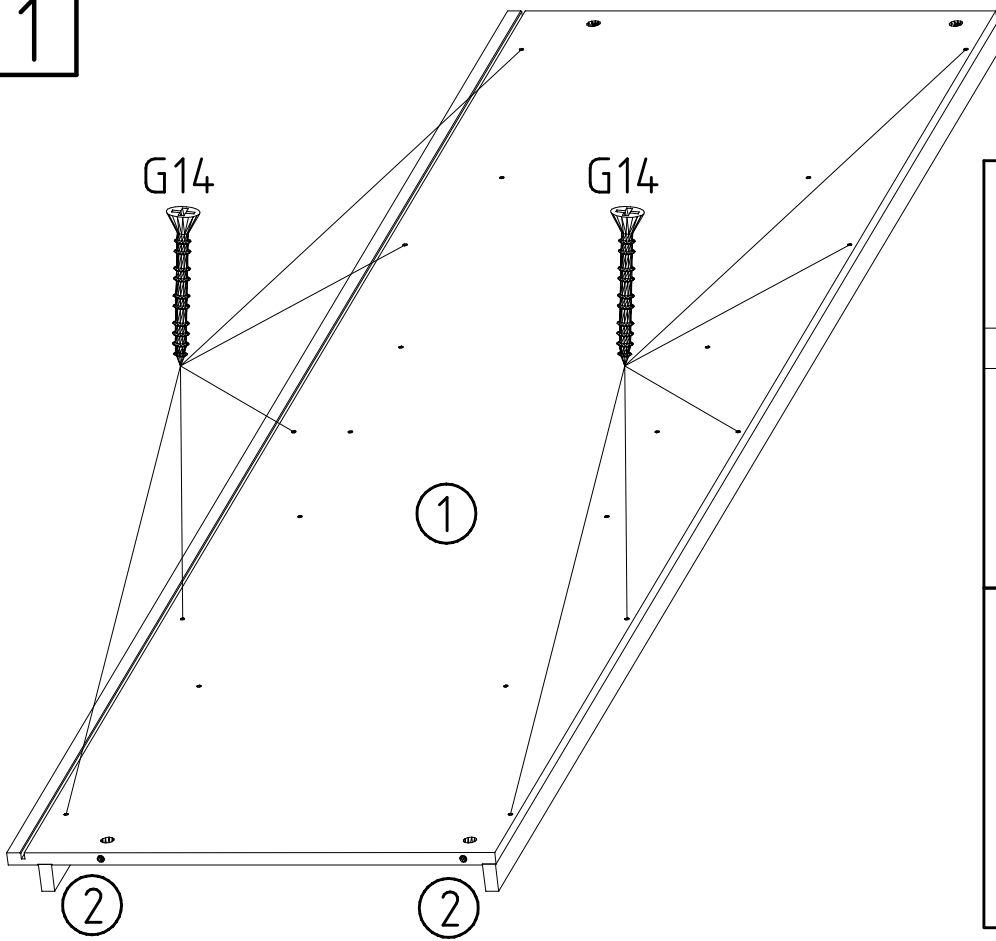
1

3,5 x 35 mm

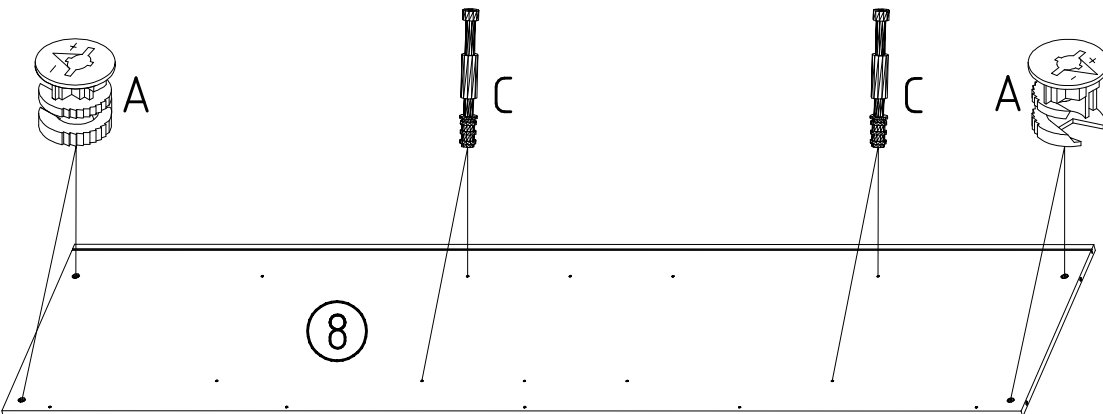
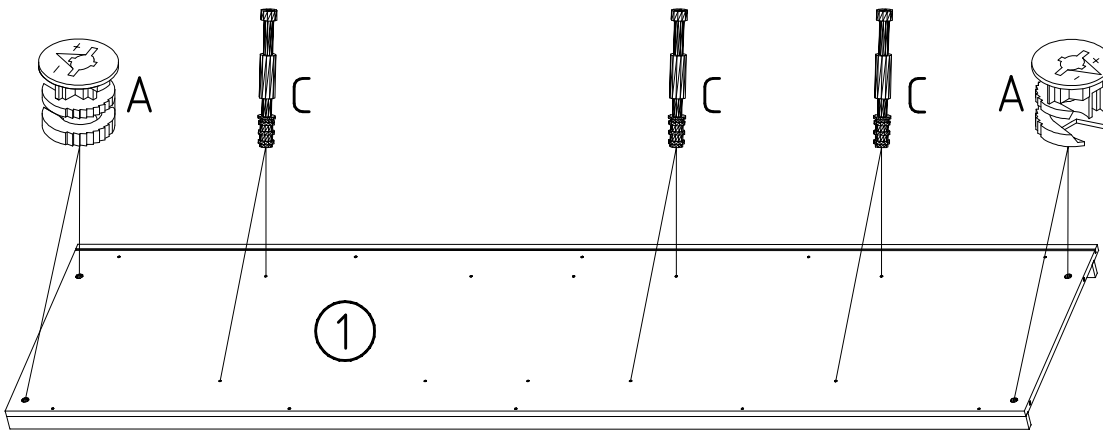
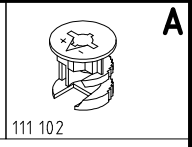
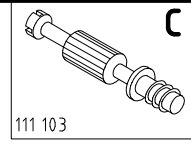
G14



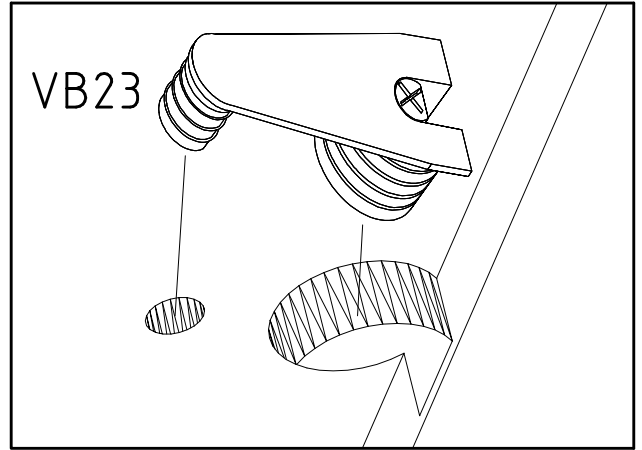
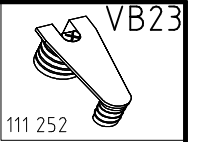
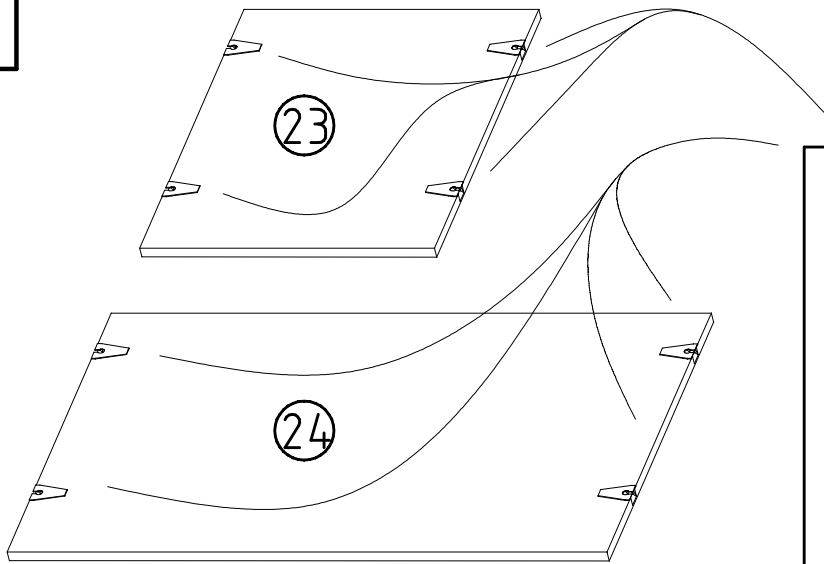
121 375



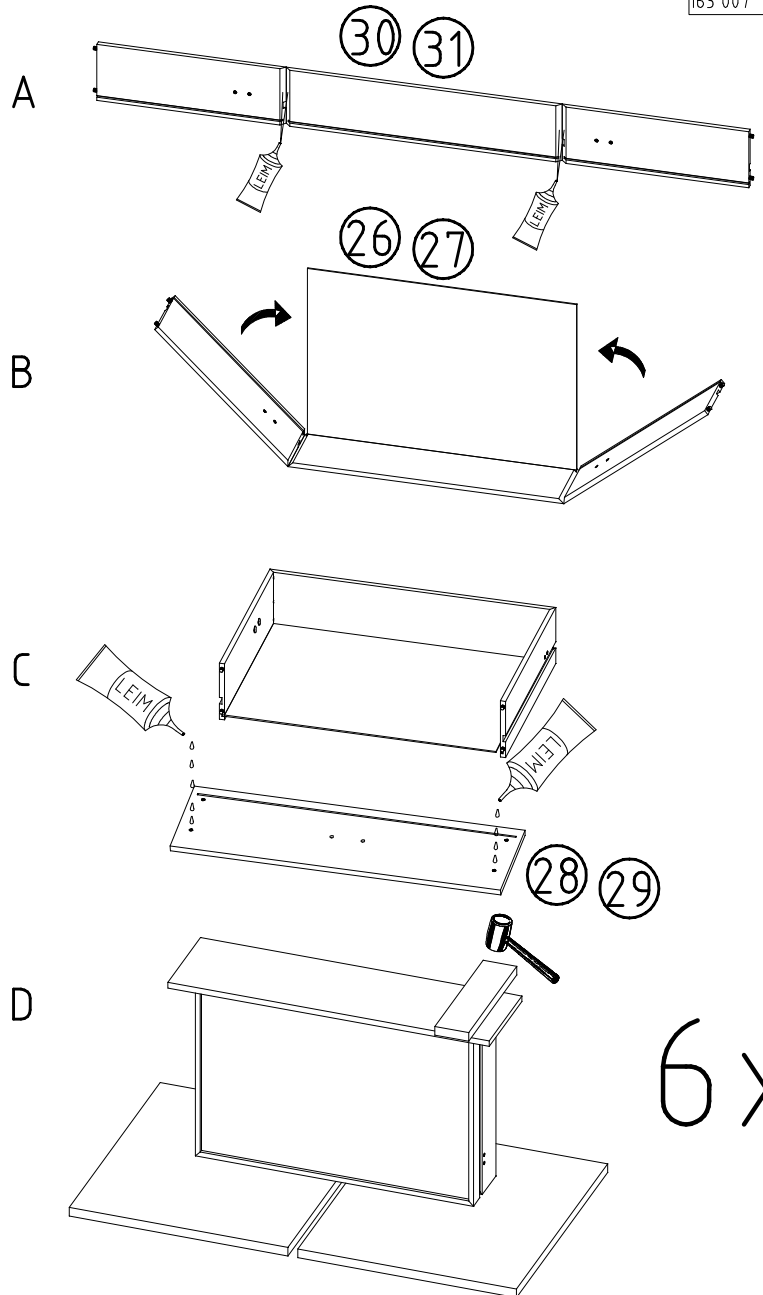
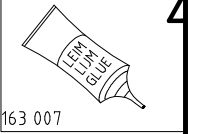
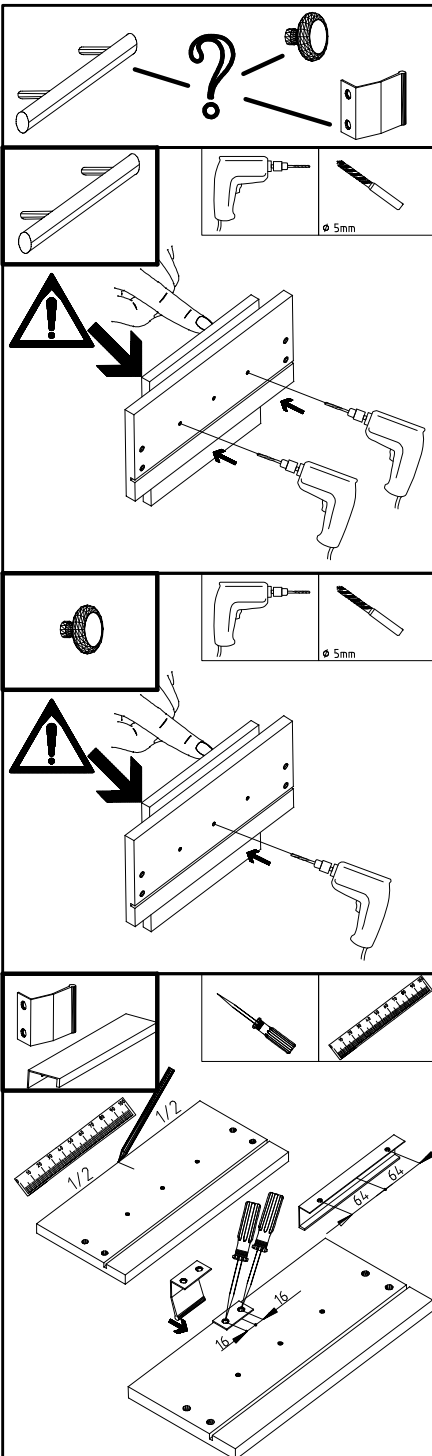
2



3

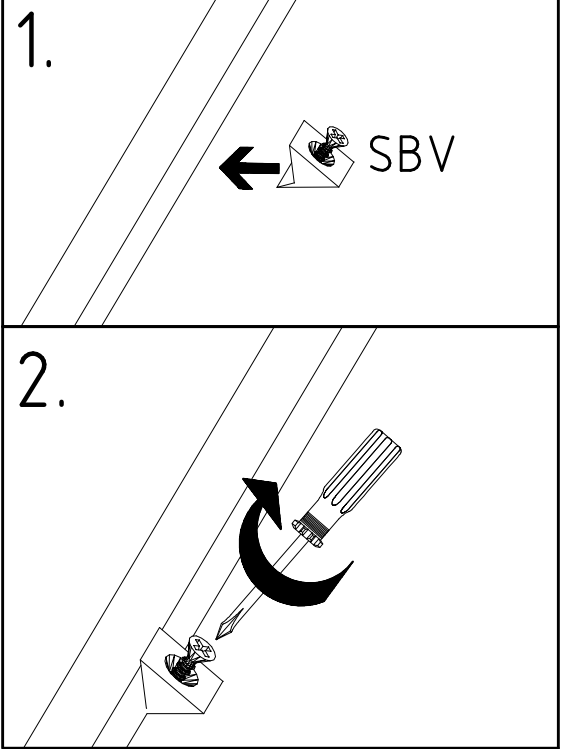
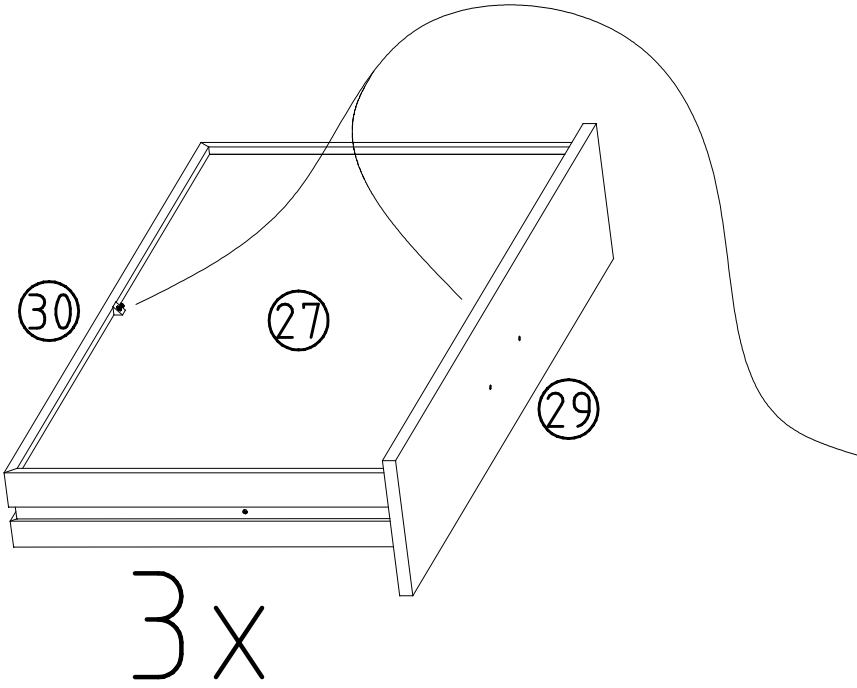
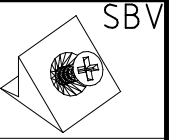


4

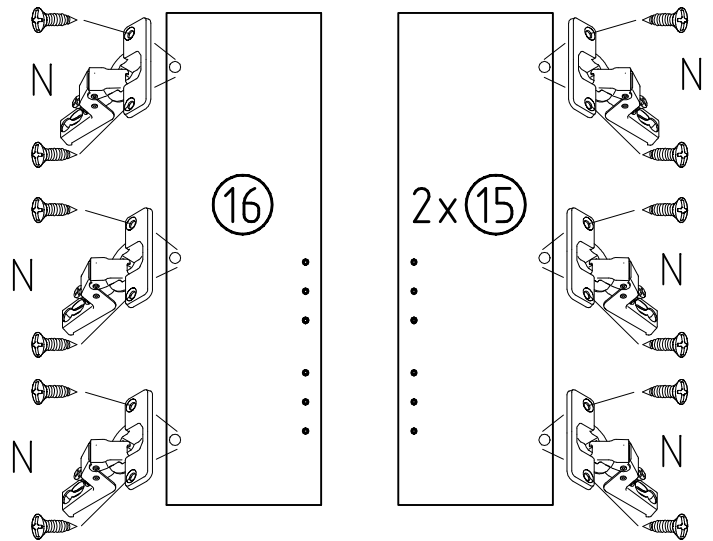
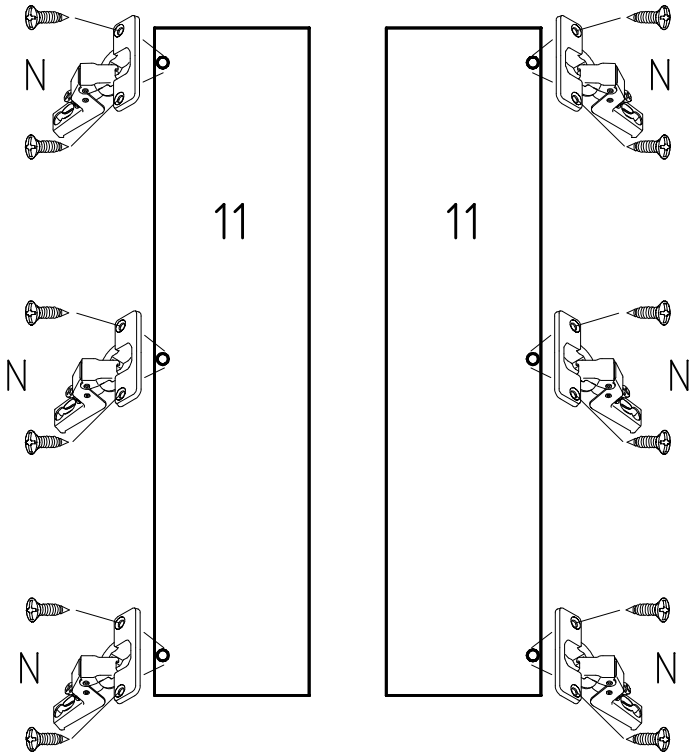
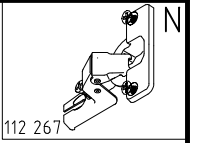


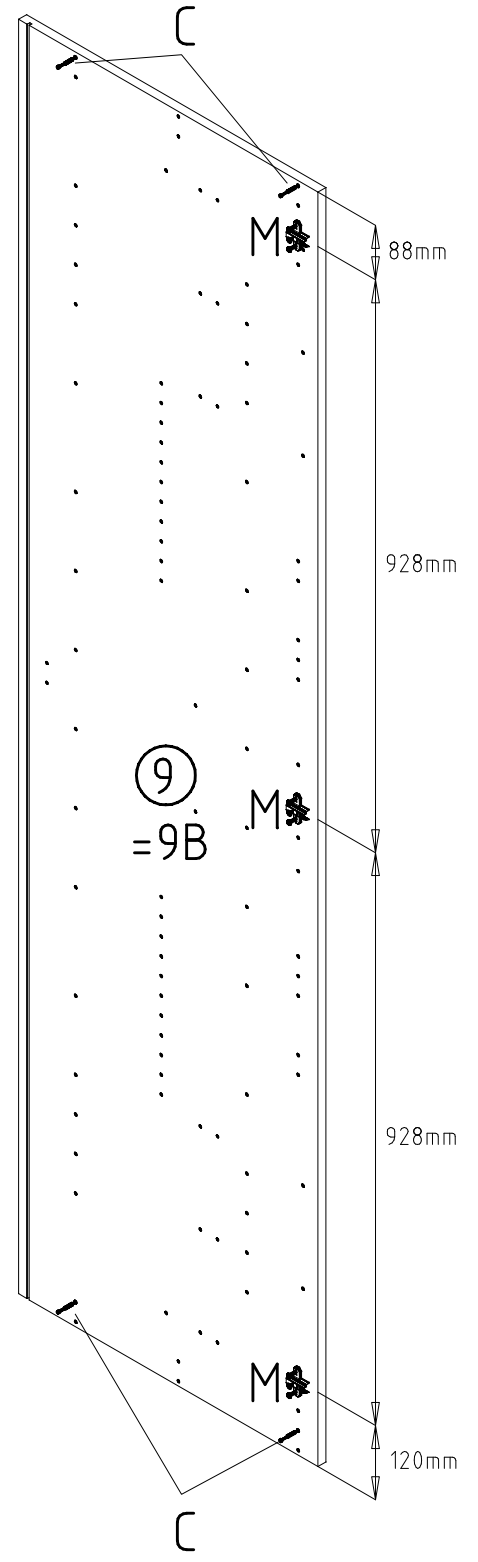
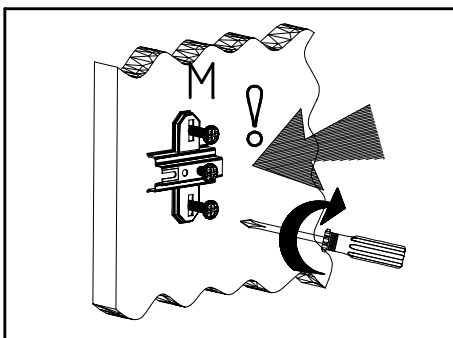
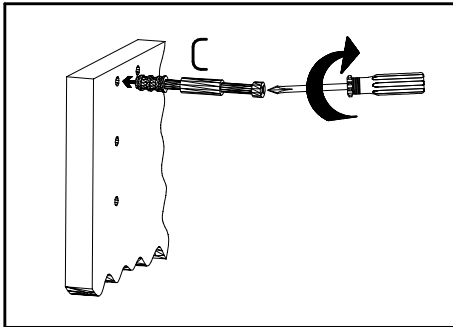
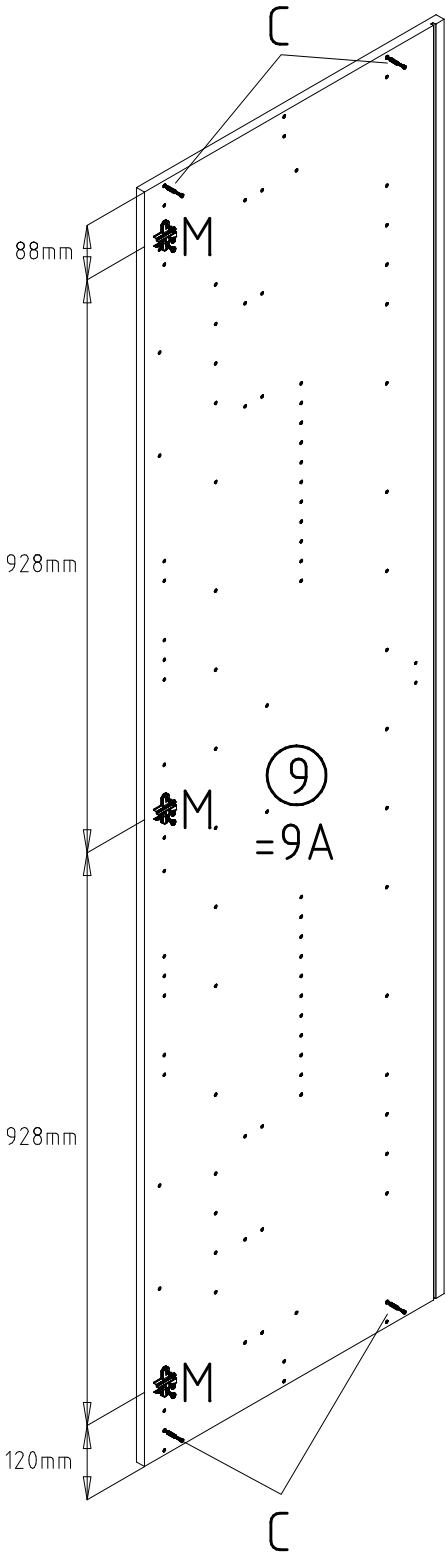
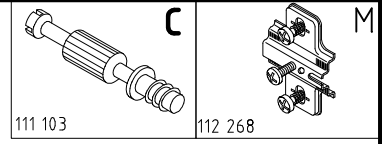
6x

5



6





M6 x 10

T3

Y20

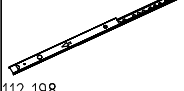
F

A

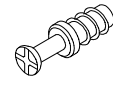
M



112 616



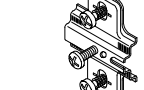
112 198



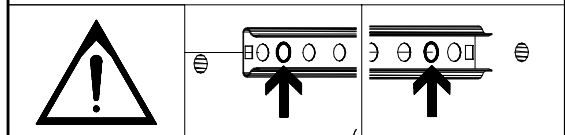
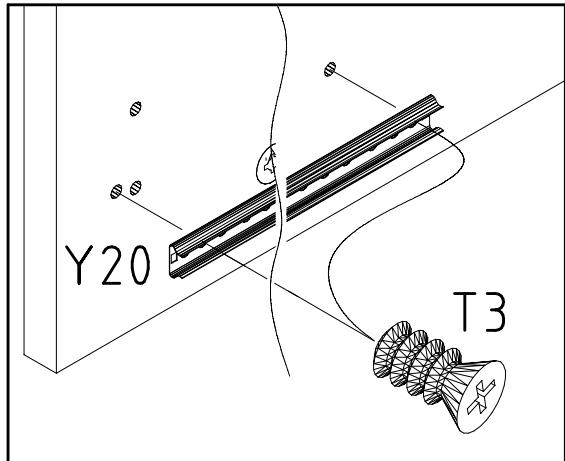
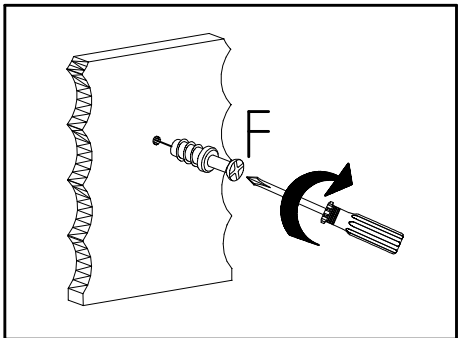
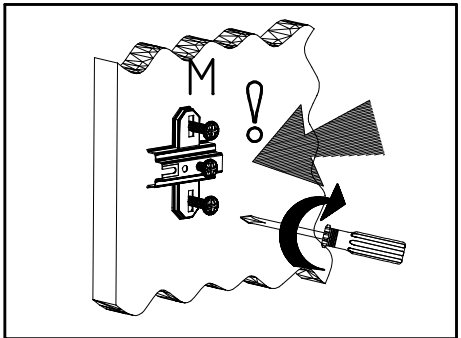
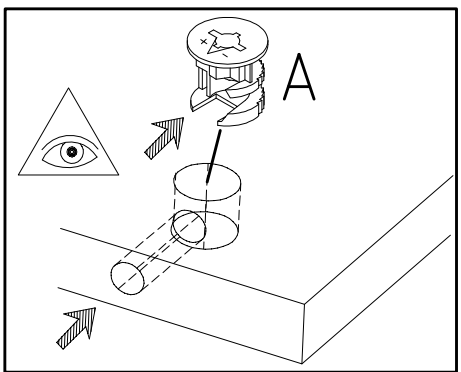
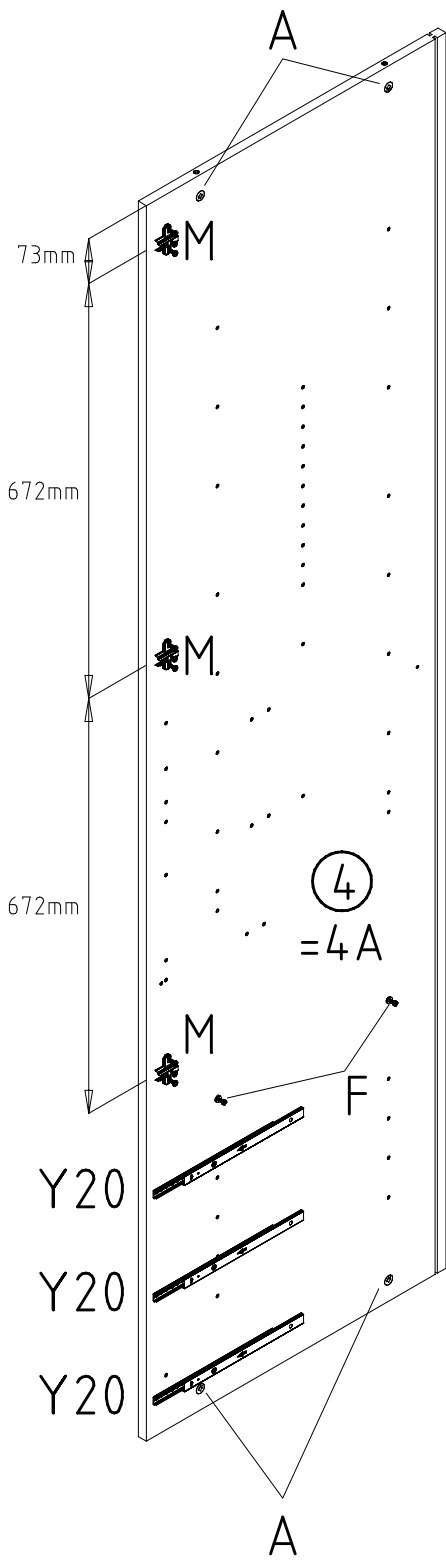
111 229



111 102



112 268



9

M6 x 10

T3

Y20

E

A

M



112 616



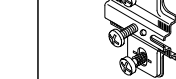
112 198



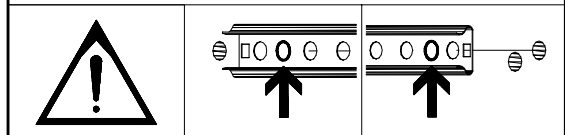
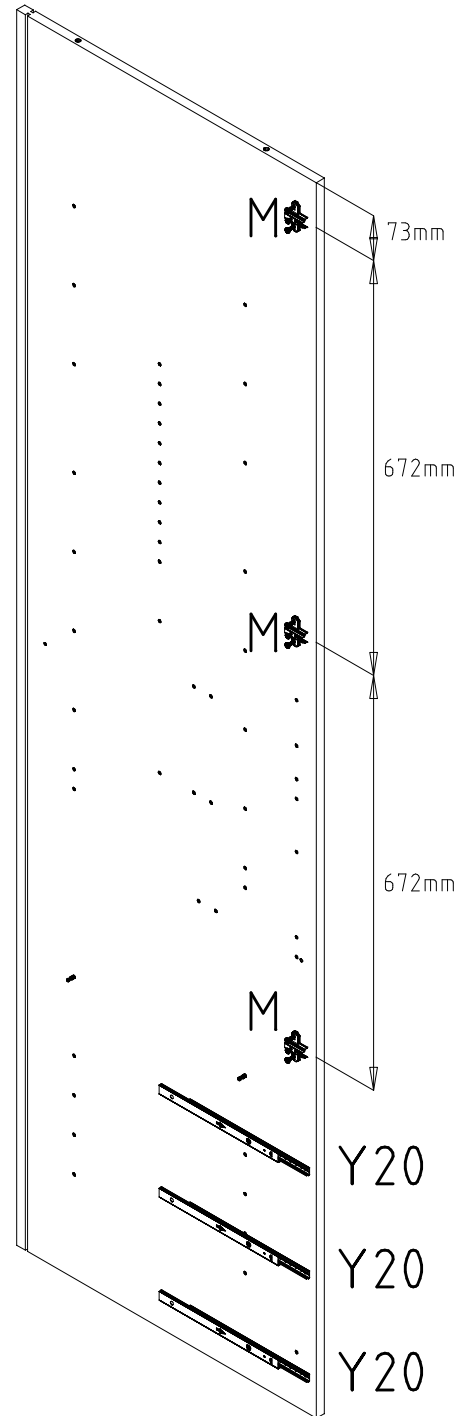
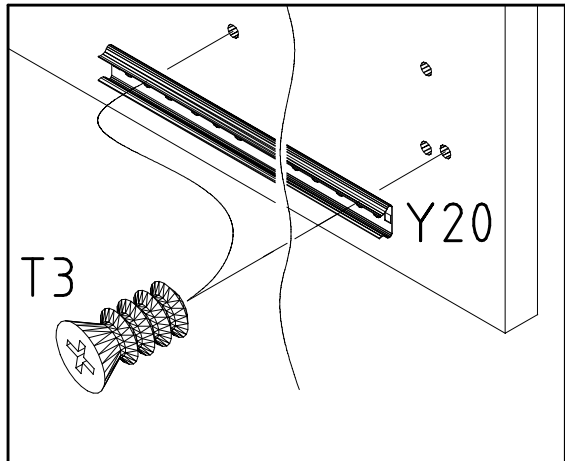
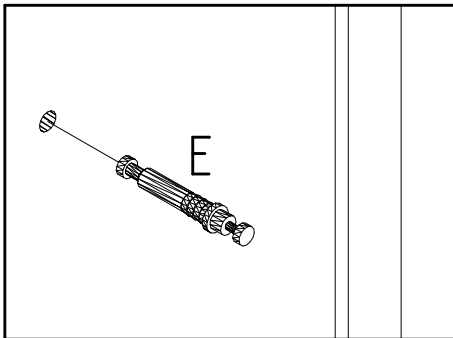
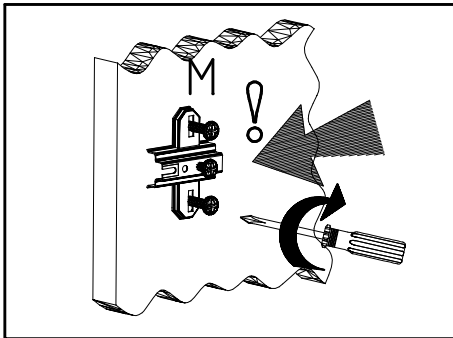
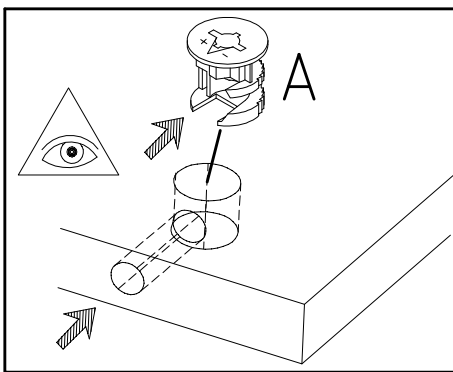
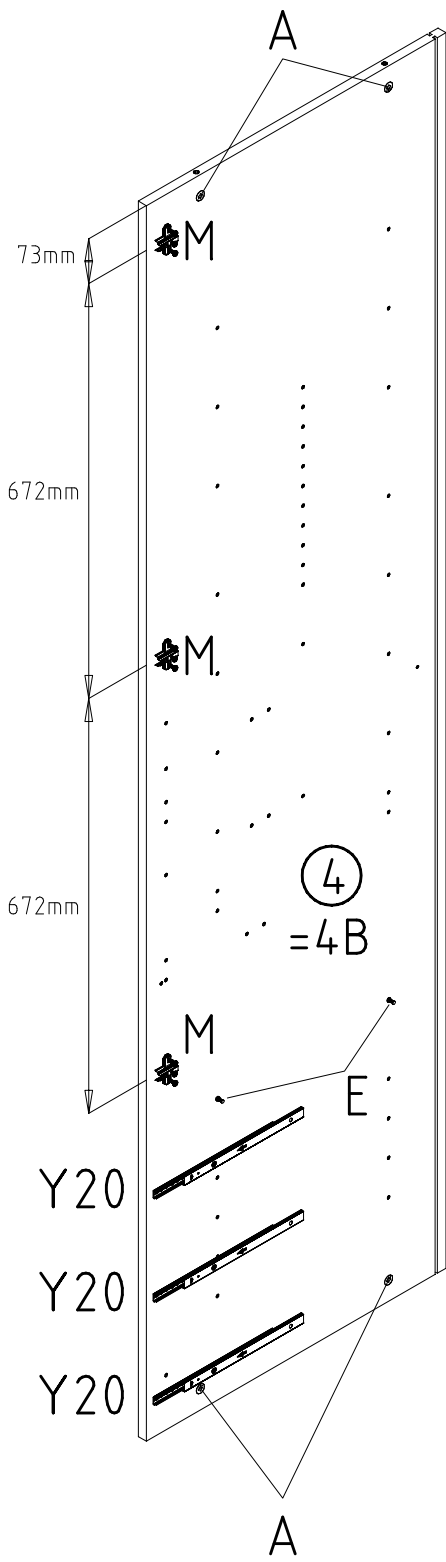
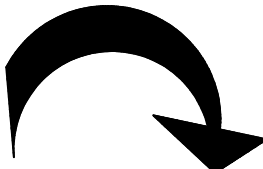
111 235



111 102



112 268



10

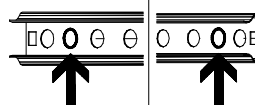
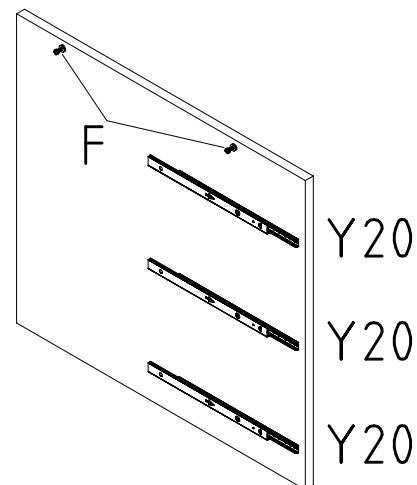
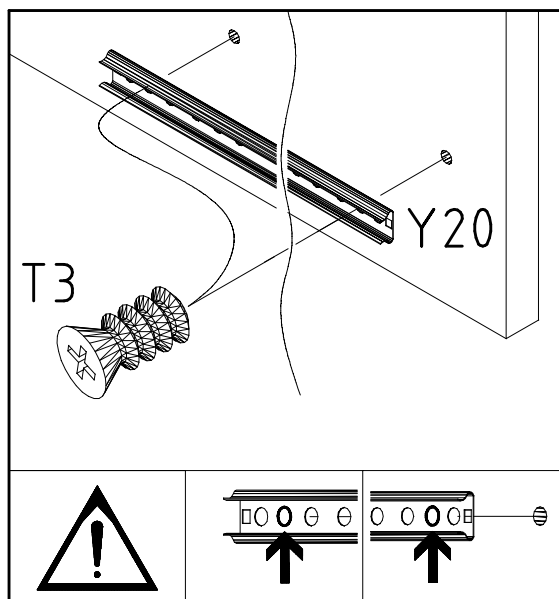
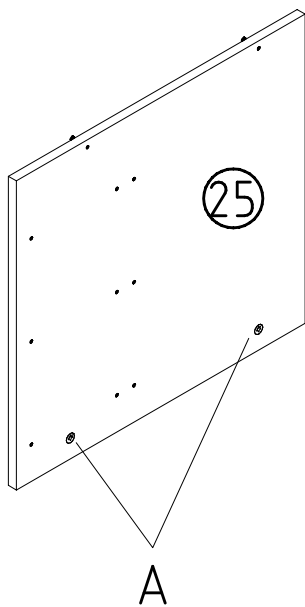
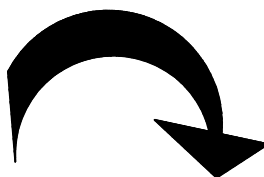
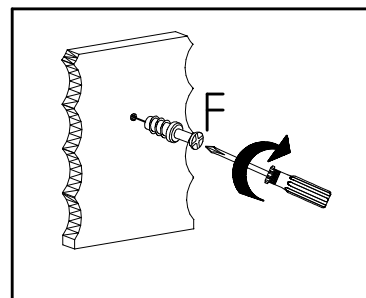
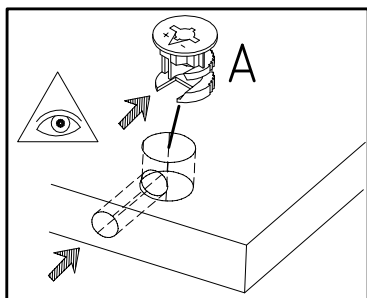
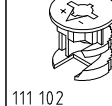
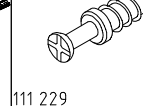
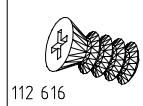
M6 x 10

T3

Y20

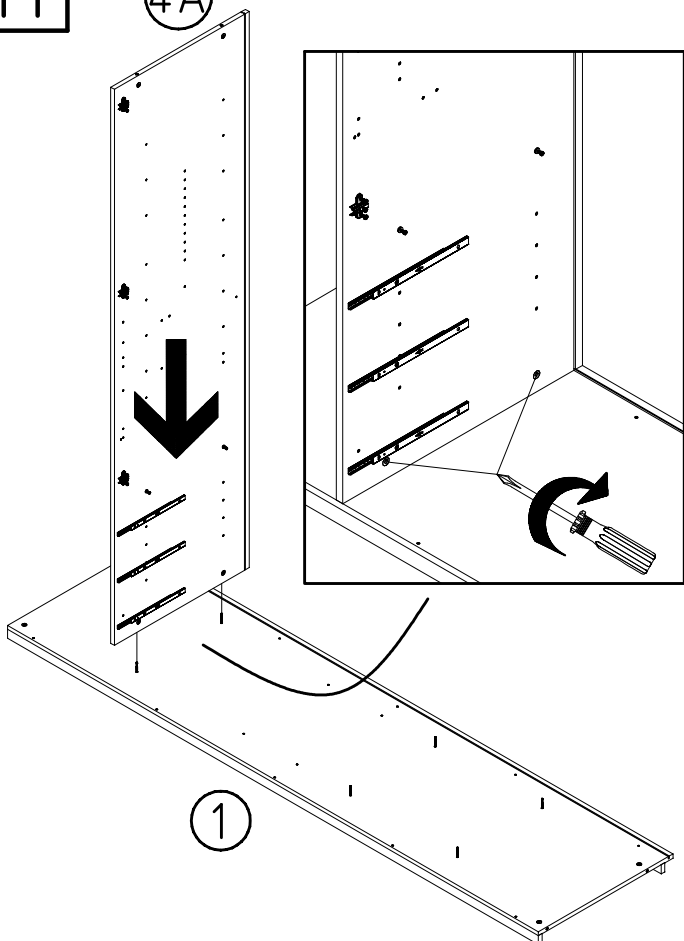
F

A



11

4A

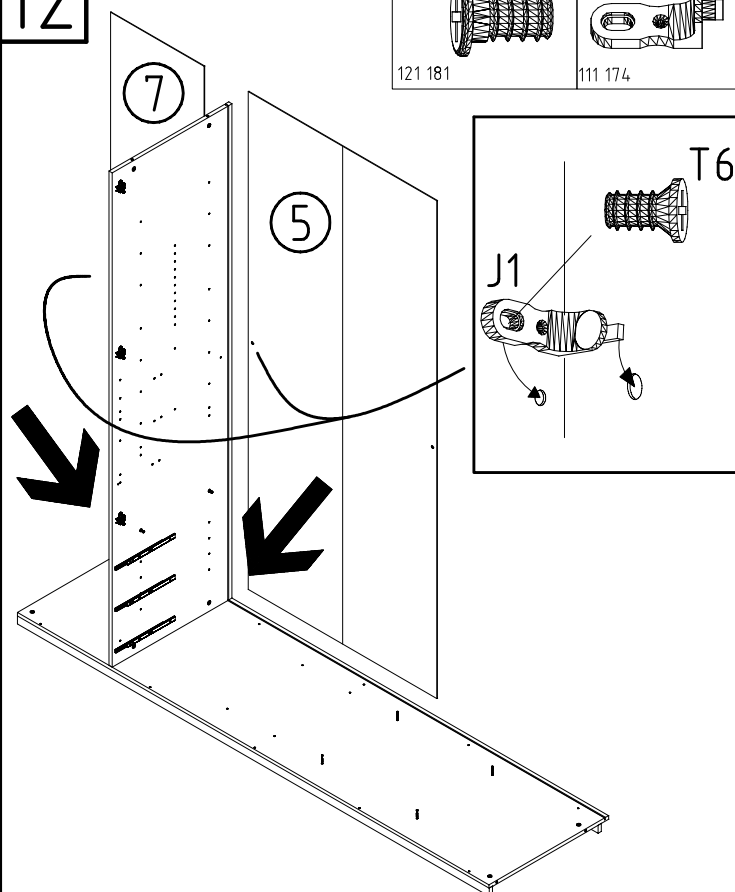
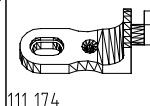
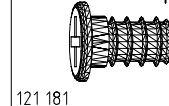


12

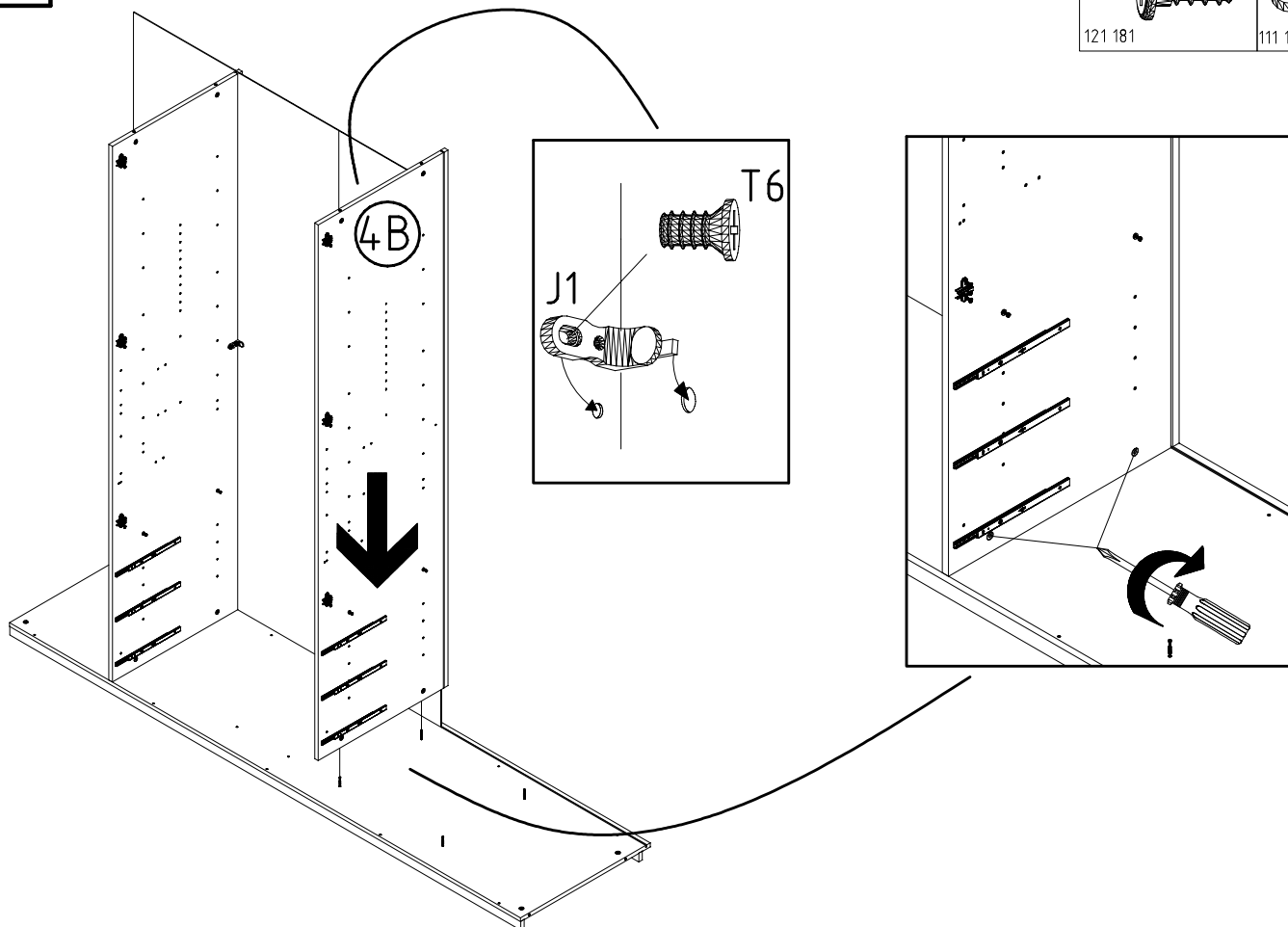
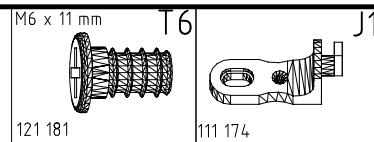
M6 x 11 mm

T6

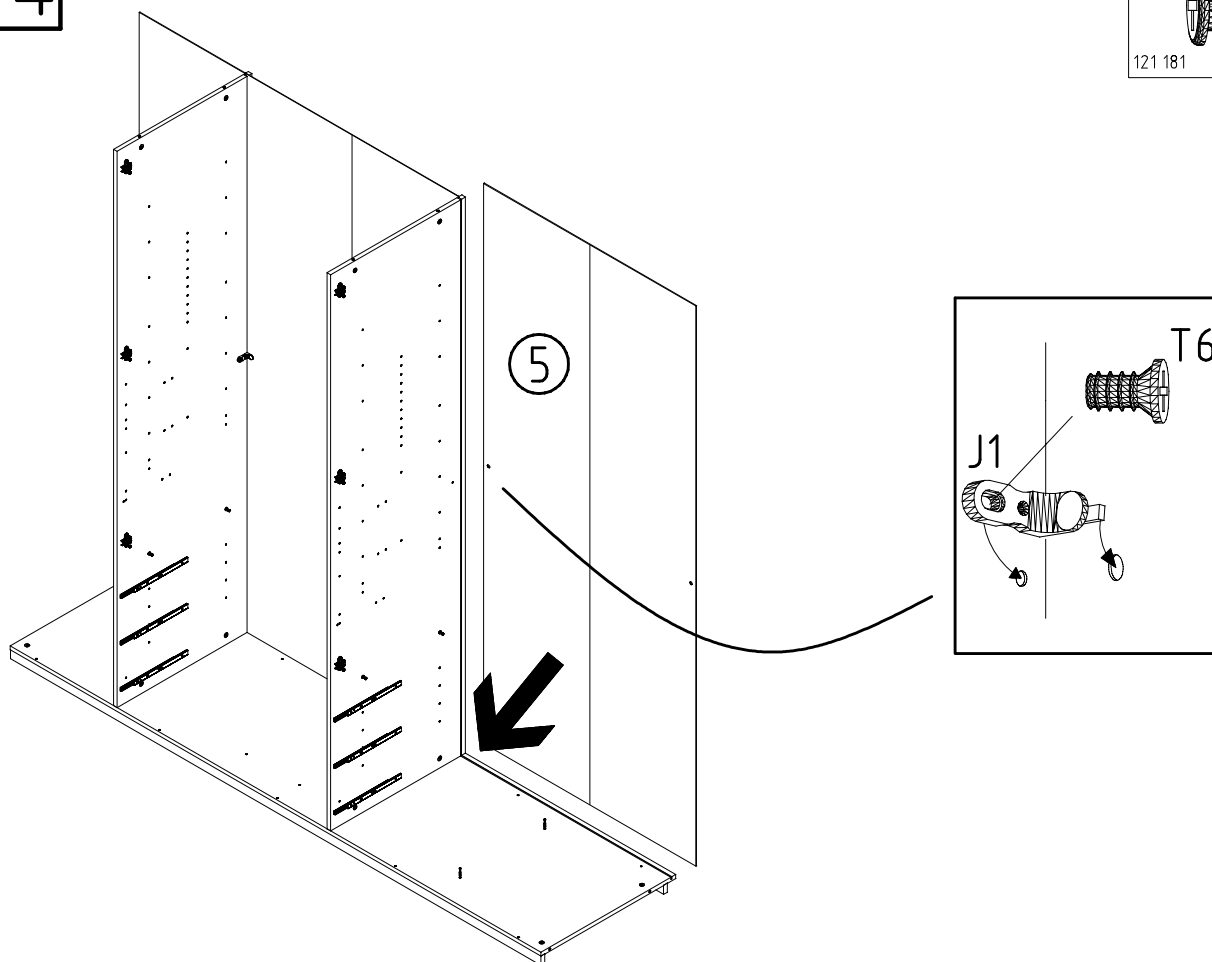
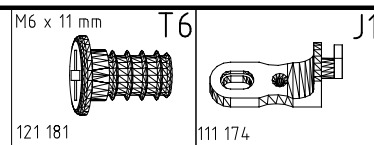
J1



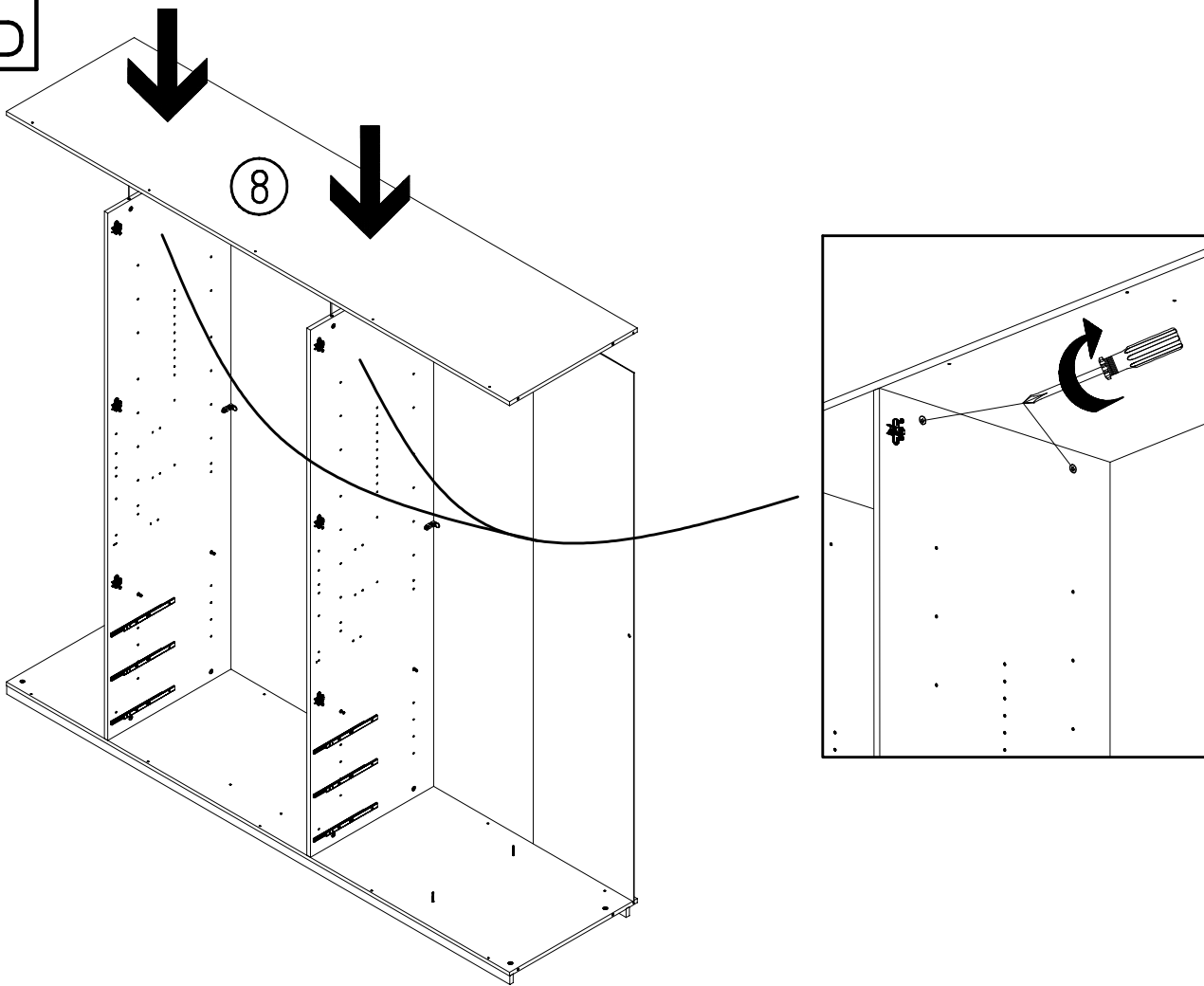
13



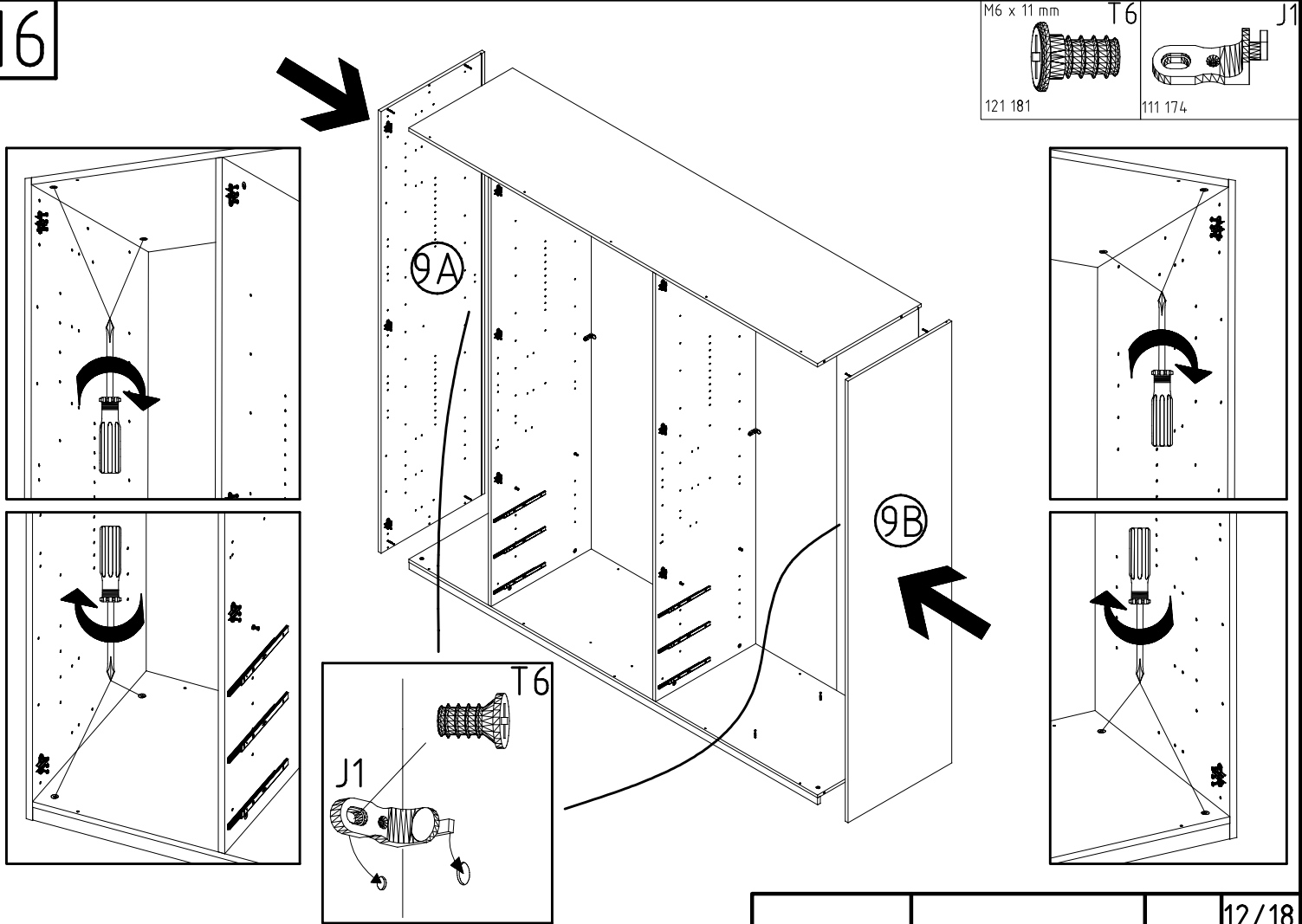
14



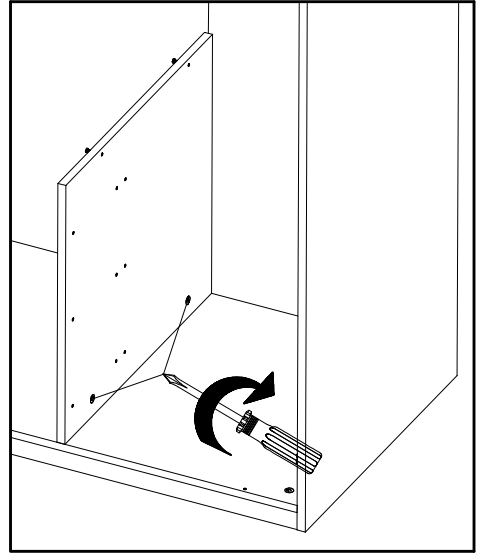
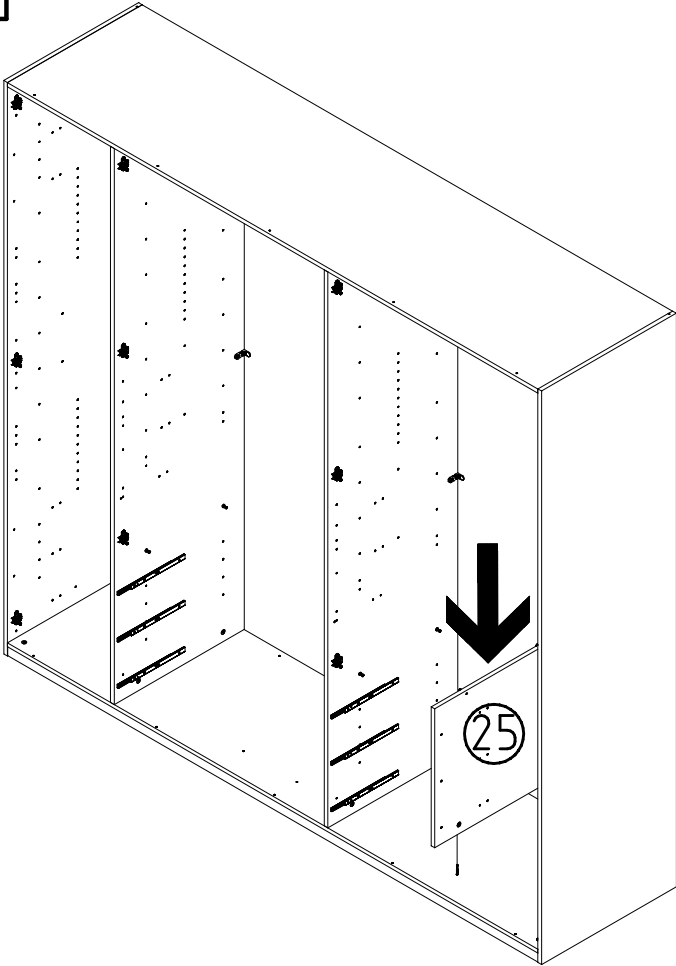
15



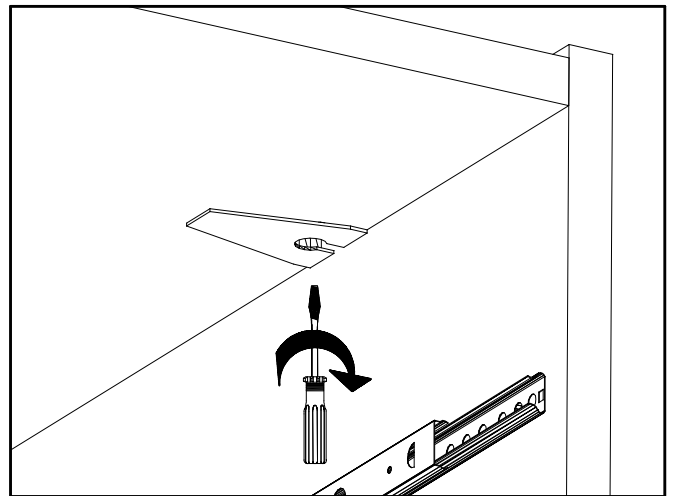
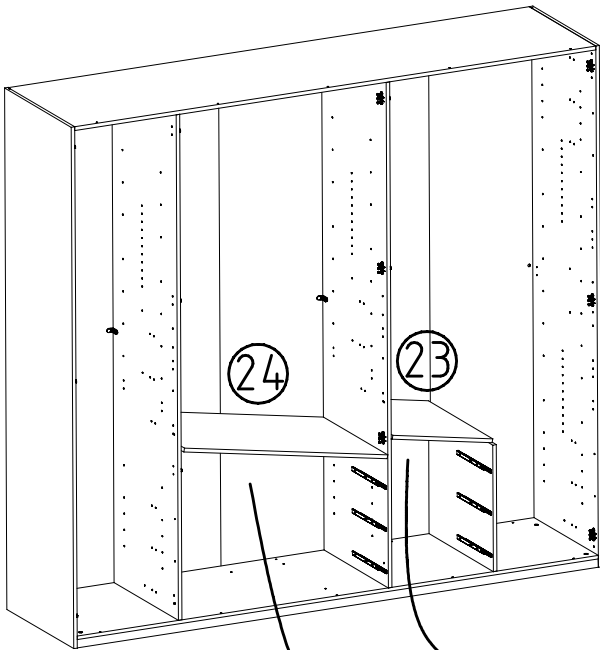
16



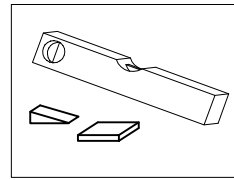
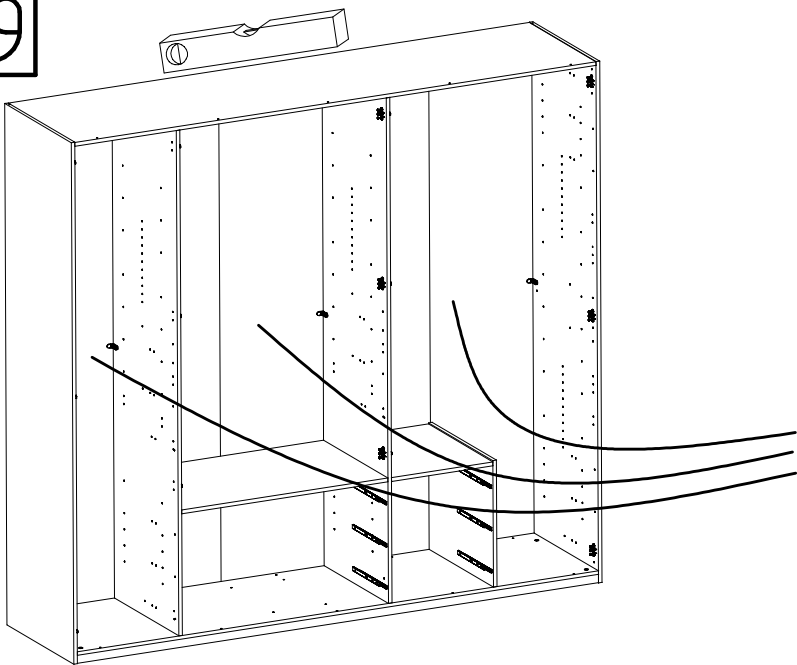
17



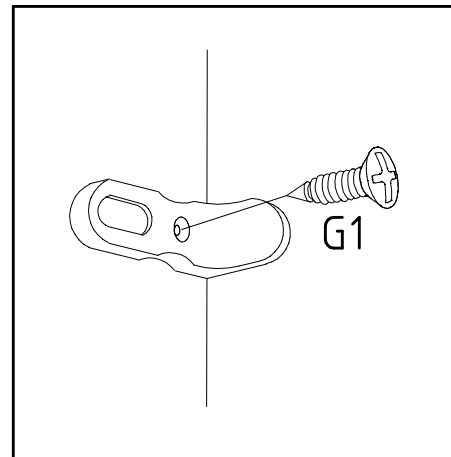
18



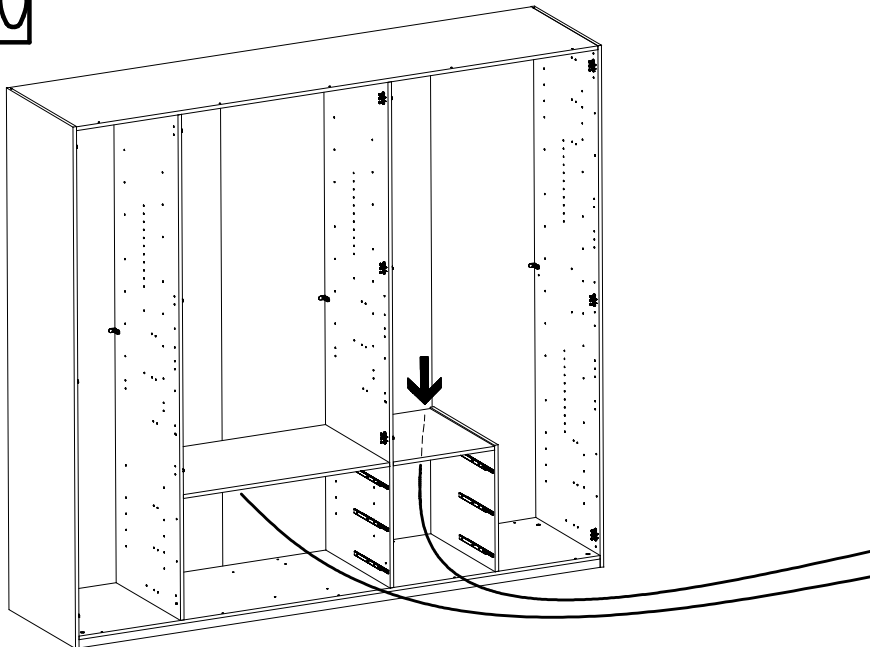
19



3,5 x 15 mm G1
121 370

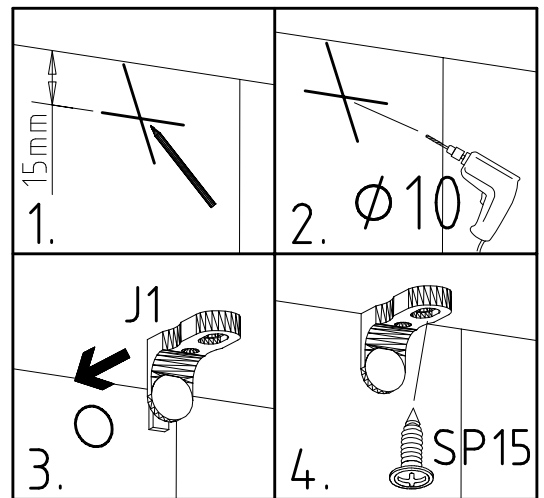


20

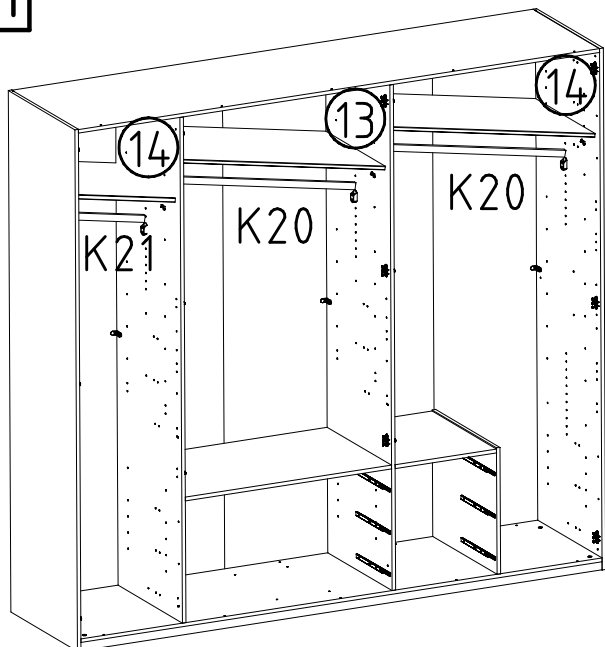


SP15
4 X 15mm
121 120

J1
111 174



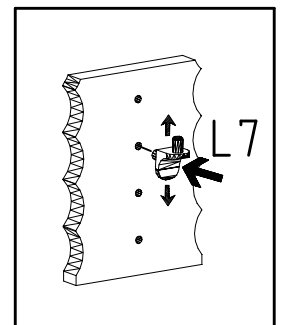
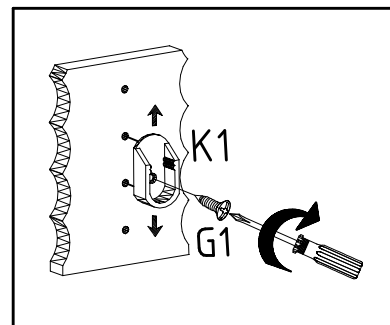
21



3,5 x 15 mm G1
121 370

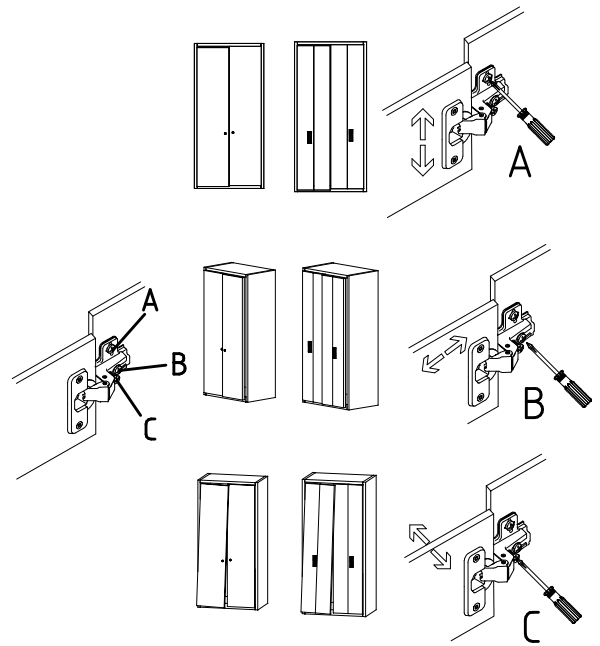
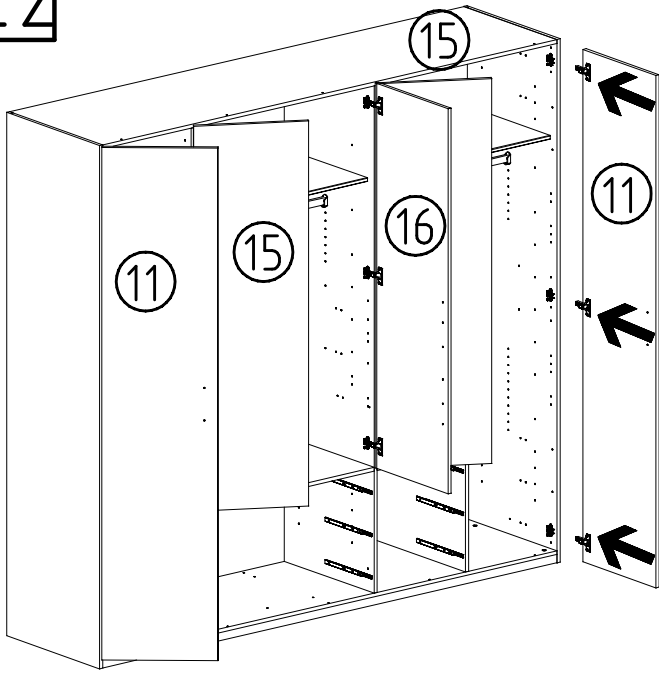
L7
111 610

K1
117 001

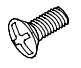


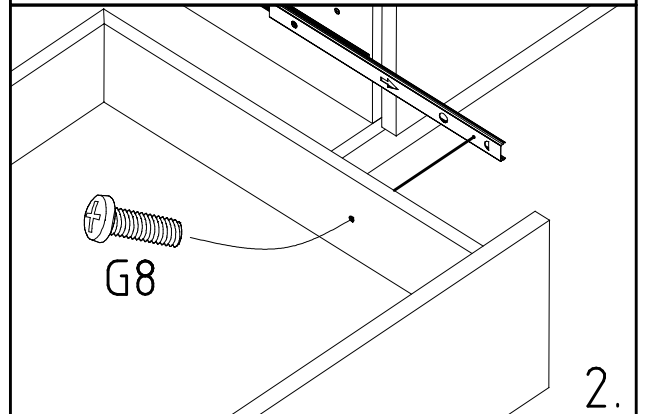
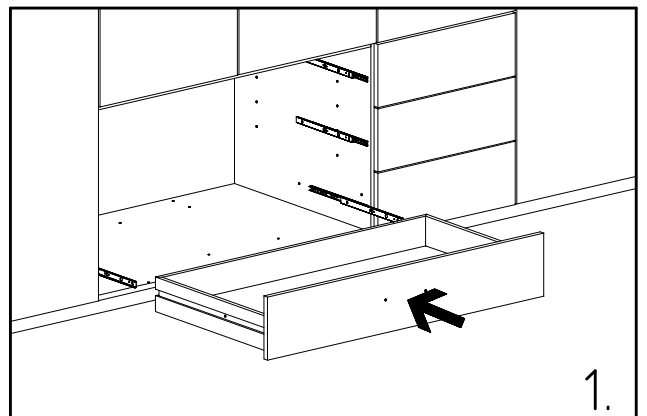
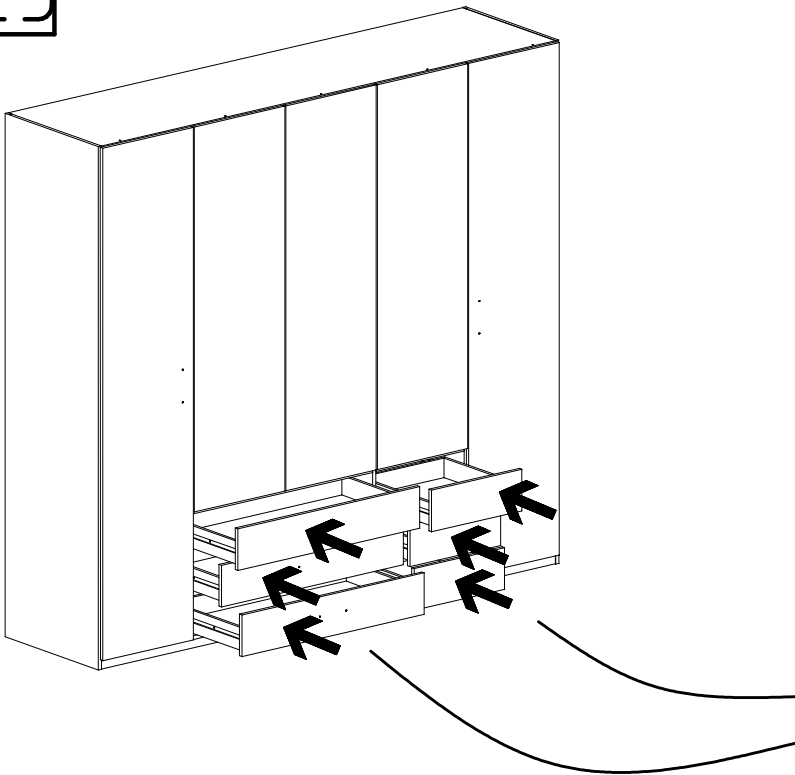
K21	K20
424mm	870mm
112 403	112 402

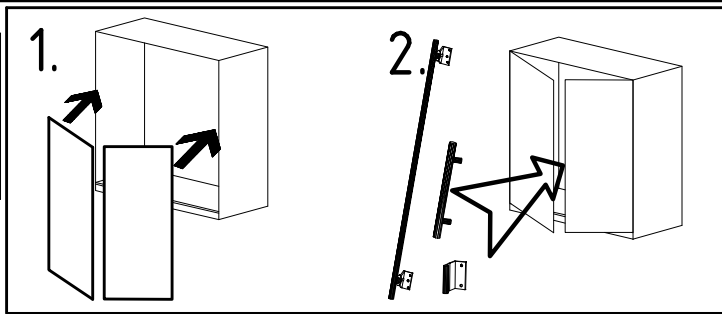
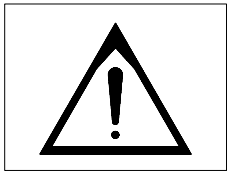
22



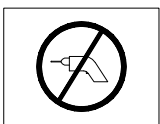
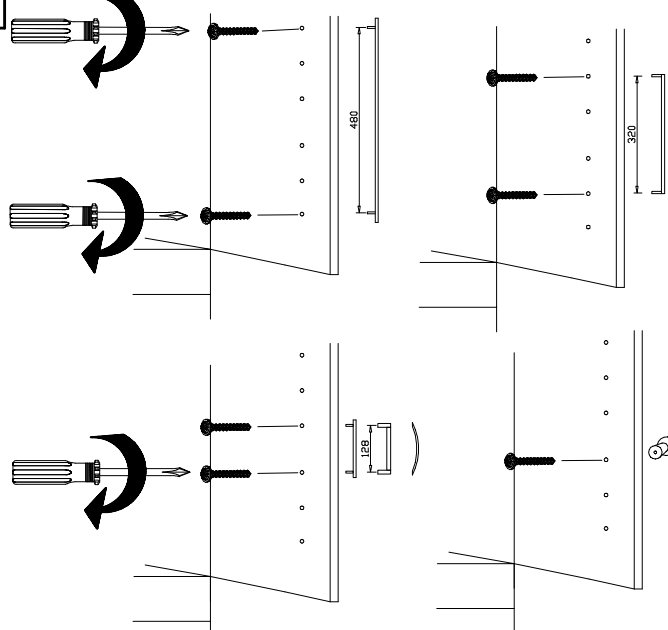
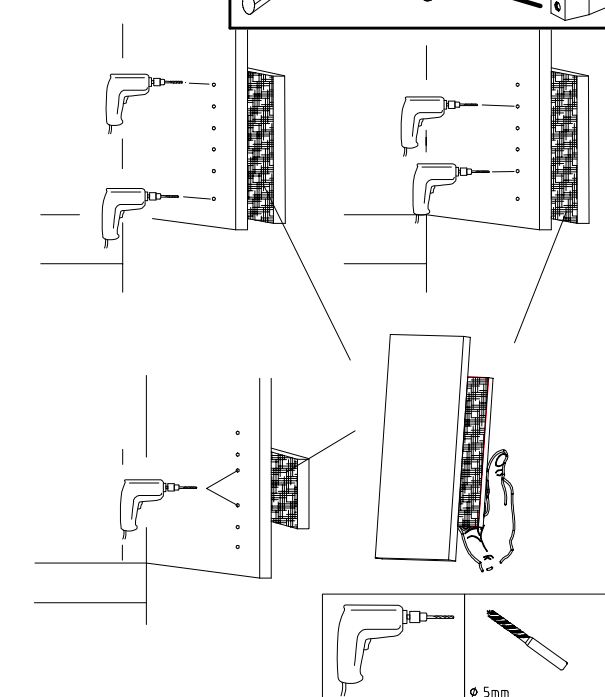
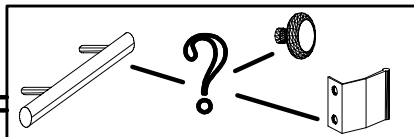
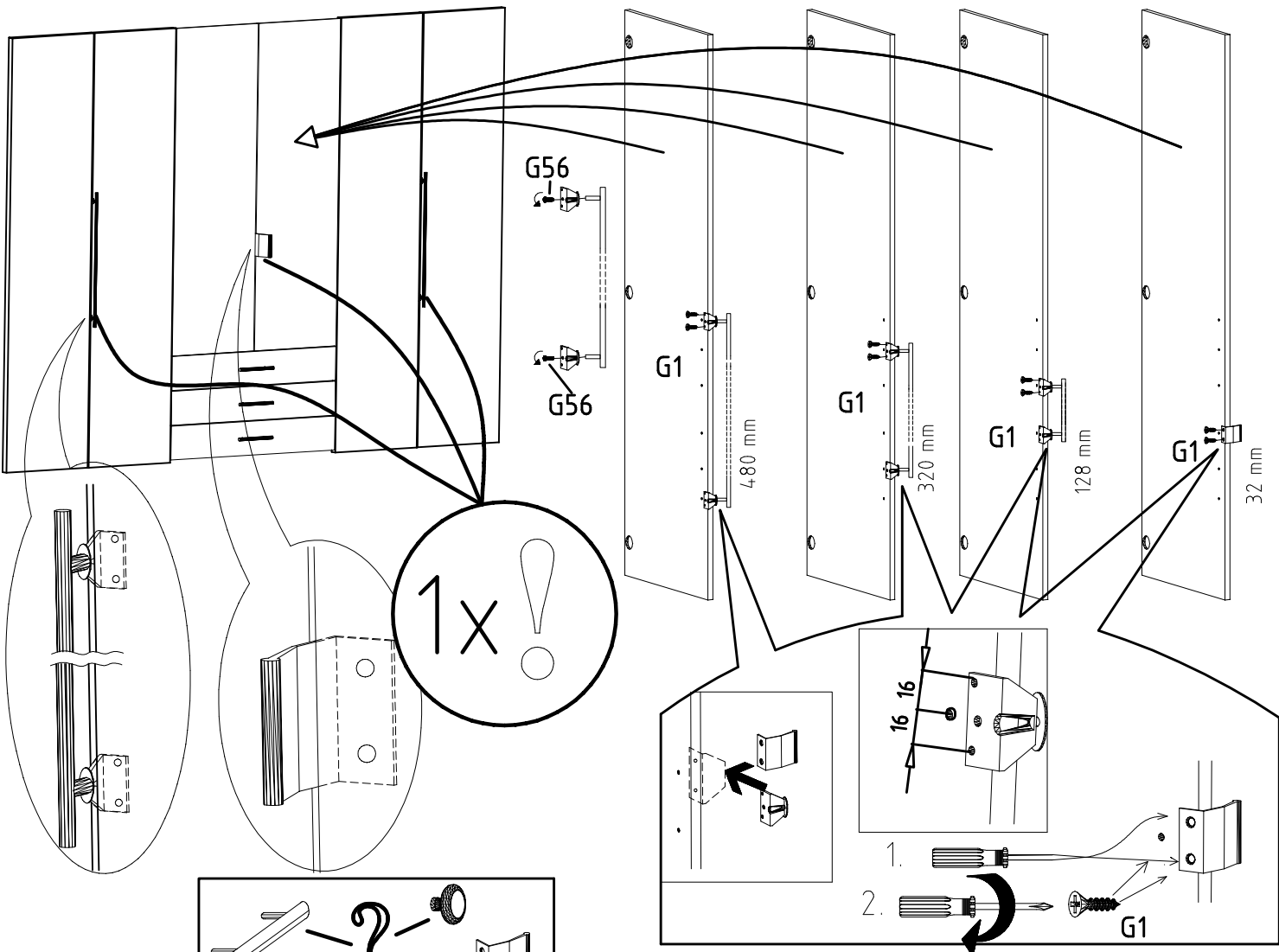
23

M4 x 9 mm **G8**

 111 015

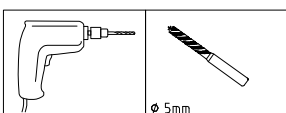




3,5 x 15 mm	G1	4,0 x 12 mm	G56
121 370		122 625	



	SP27
4 X 27mm	
122620	
4,0x22	G49
122 609	



Ø 5mm

